



Super SWASH

Super SWASH – PCBA defluxing and stencil cleaning in one system

AGITATION

Spray In Air



APPLICATION

Super SWASH has two main application fields

- Stencil/ misprint cleaning in big production plant
- PCBA, misprint and stencil cleaning in one system with higher cleaning ability (low stand-off) in smaller production



- PCBA after soldering (de-fluxing)



- Misprints



- Metal stencils



- Pump-print stencils



- Solder pallets



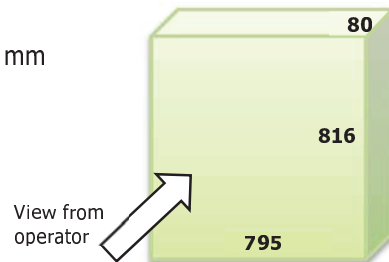
- Mechanic parts



Technical data

USABLE DIMENSION OF CHAMBER

- Rough available space for cleaned material (WxLxH) 795x80x816 mm
- Particular position and space depends on given clamping
- Please consult specific requirements with manufacturer representative.
- Customized modification available on request.



PROCESS DATA:

(Use, capacity and consumption of machine)

Max. usable space: WxLxH - W-left/right, L-front/rear, H-height	795 x 80 x 816 mm
Typical consumption of cleaning agent w/o load (per one cycle)	0.1 liter
Stencils capacity/ dimension	1 pc / 32"
Stencils typical total cycle time	7 - 15 min
Stencil quantity per hour	Up to 8 pcs
Stencils typical consumption / cycle (cleaning agent)	0.12 – 0.2 liter
PCB defluxing and Misprints - max usable area at the disposal	0.66 m ²
Max load in 3U-160 eurocards (100x160mm) per one cycle	28 pcs
PCBA + Misprints 3U-160 eurocards (100x160mm) typical total cycle time	20 - 40 min
PCBA + Misprints 3U-160 eurocards (100x160mm) quantity per hour	Up to 84 pcs
PCBA + Misprints typical consumption / cycle (depends on PCB shape and pollution)	0.2 – 0.3 liter
Solder pallets - available space (necessary to specify clamping)	830 x 80 x 816 mm
Typical total cycle time for solder pallets	20 – 30 min

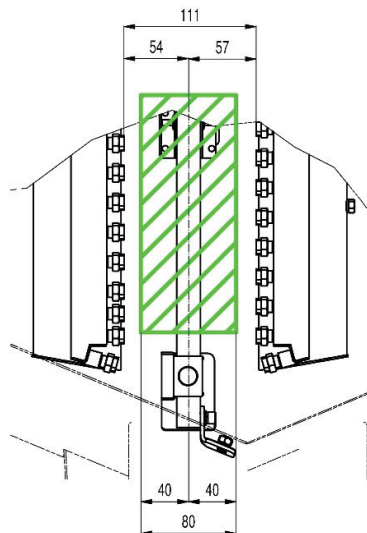
Typical consumption are based on values from the field, however cannot be guaranteed because of other factor influence.

Standard max. thickness

PCB+components

one side 40 mm + second side 40 mm – see drawing:

(Other cleaned material size on request)



TECHNOLOGICAL DATA:

	Super SWASH								
	I V20831H1525X	IR V20831H1526X	IR+ V20931H1886X	II V20831H1527X	IIR V20831H1528X	IIR+ V20931H1887X	III V20831H1529X	III/IIR+ V21231H1567X	
Machine dimensions	1,7 x 1,15 x 1,75				1,7 x 1,4 x 1,75				m
Weight (without liquid)	495	500	520	550	560	590	620	630	kg
Maximum power input (according to the configuration)	9-17	9-17	10-18	10-18	10-18	11-24	12-24	12-24	kVA
Washing - pressure on the nozzles	3	3	3	3	3	3	3	3	bar
Rinsing - pressure on the nozzles	-	-	2,5	-	-	2,5	-	2,5	bar
Dİ water rinsing - pressure on the nozzles	-	-	-	2,6	2,6	2,6	2,6	2,6	bar
Machine noise level	L _A (eqv) < 70 dB, L _C (peak) = 93,7 dB								dB
Cleaning agent volume	70								liter
Cleaning medium temperature (option)	20-60								°C
Rinsing water temperature IR+, II, IIR+, III (option)	20-40								°C
Drying temperature	20-110								°C
Number of program registers (settings)	99								
Working area (left - right limit)	0-850 (0-33,5)								mm (inch)
Max. dimension of cleaned frames (outer dimension)	830 x 816 x 40 (32,5" x 32" x 1,5")								mm (inch)
Machine dimension WxLxH (mm) W-left/right, L-front/rear, H-height	1700 x 1150-1400 x 1735								mm

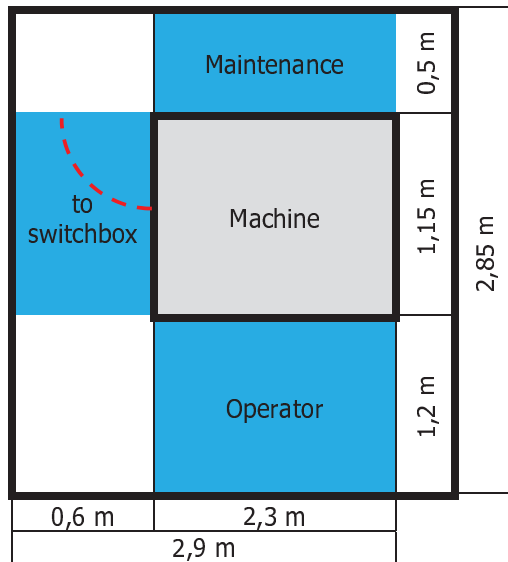
CONNECTION

Electric mains:	Connection: 3, N + PE; five-wire plug 32 A Power supply voltage: 3x 230/400 V, 50 Hz Recommended protection: 3x 32 A
Pressure air:	Connection: ø 8 mm (SMC) Input pressure: 0,6-0,8 MPa Consumption: <1 l/min
Water inlet: (only types with R)	Connection: G3/4" Water pressure: 0,2-5 bar Water flow: min. 10 l/min.
Water waste outlet:	Connection: G5/4" (IR+, IIR+) or ø 60 mm (IR, IIR)
Exhaustion:	Connection: ø 100 mm (machine top) Required power of exhausting 200-250 m ³ /h

NECESSARY FREE SPACE

Super SWASH top view:

Super SWASH I, IR, IR+, II



From the front side minimal 1,2 m space for machine operation (and for withdrawal emergency pan with decanters)

From the left side minimal 0,6 m accessing area into switchboard (conformable to directive IEC 60364-1:2005) and accessing area to manual discharge ball valve

From the rear part minimal 0,5 m space for machine maintenance (filter pads replacement etc.)

Ceiling height minimal 2,5 mspace for door opening

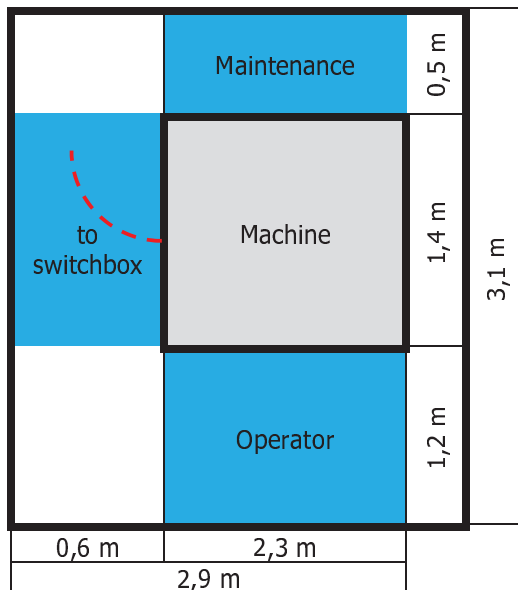
Note:

The height of machine with exhaust ventilator is +200 mm = 1935 mm

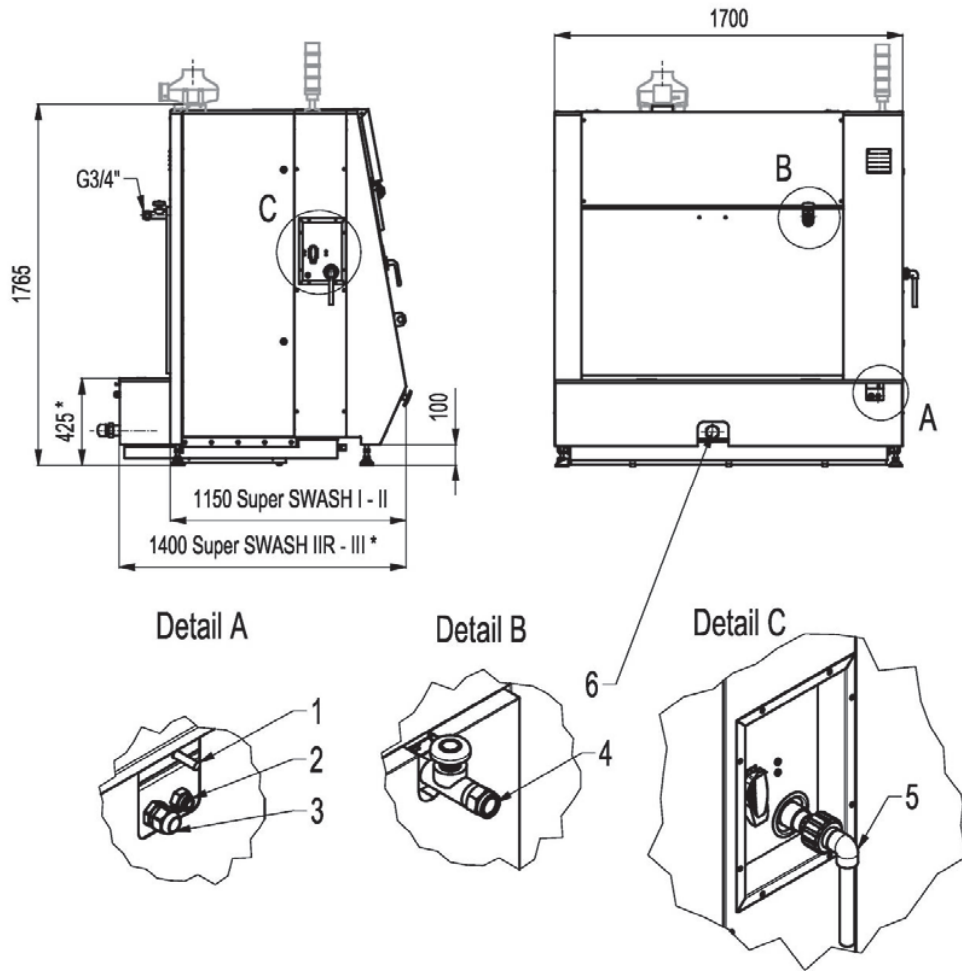
The height of machine with signal tower is +330 mm = 2065 mm

The width of machine with pump unit of drain water is +300 mm = 1500 (1720) mm

Super SWASH IIR, IIR+, III, III/IIR+



DIMENSIONED SKETCH



Detail A: (valid for all types)
 Grounding screw (1)
 Air pressure (2)
 El. power supply (3)

Detail B: (valid for R, R+ types)
 Tap water connection (4)

Detail C: (valid for all types)
 Draining hose connection (5) + discharge ball valve

OUTLET OF WASTE WATER (VALID FOR R, R+ TYPES) (6)