

DESKTOP CLEAN MACHINE

teknek

An ITW Company



DESKTOP CLEAN MACHINE



An ITW Company

Process your material once with the New Compact DeskTop Clean Machine by TEKNEK. A unique blend of key elements such as Nanoclean, double sided cleaning, static dissipation and innovative design combine to create this new Semi Automatic Cleaning Station.

BENEFITS

+ Increase your productivity by 75%

The ability to clean both sides of the material at the same time reducing processing time and material handling.

+ Dissipate static charge

Nanoclean™ cleaning core plus specific materials chosen within the construction of the product give excellent static dissipating qualities.

+ Reduce material handling

No need to double handle your material, one pass through the machine simultaneously cleans both sides.

+ Cleans what others leave behind

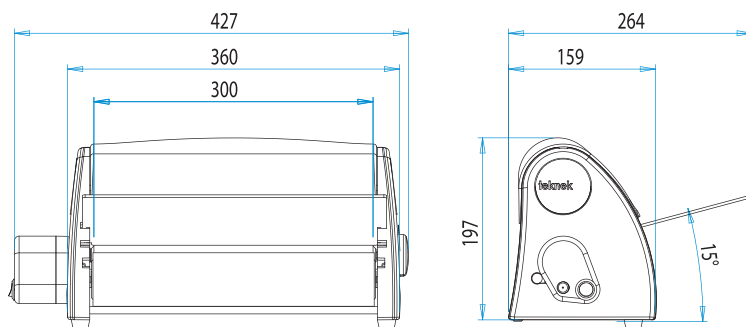
The Nanoclean cleaning core (Rollers and Adhesive) in the only silicone free cleaning solution available.

+ Clean room Compatible

Manufactured from specifically selected materials and a silicone free cleaning core ensures this product is suitable for all clean rooms.

DESKTOP SPECIFICATION

Available cleaning width:	300mm
Electrical requirements:	Universal - 110/240v AC
Anti Static system:	Single 7kv bar on exit - 110/220v AC
Cleaning rollers:	Nanoclean as standard Other Teknek elastomers are available on request
Adhesive Rolls:	Nanoclean



WORLD LEADER IN CONTACT CLEANING

 Teknek Head Office
River Drive
Inchinnan Business Park
Renfrewshire, PA4 9RT
Scotland, UK


T: +44 (0)141 568 8100
F: +44 (0)141 568 8101

 Teknek Japan Ltd
1-2-4, Minatojima-Nakamachi,
Chuo-ku,
Kobe 650-0046
Japan

T: +81 (0)78 304 5780
F: +81 (0)78 304 5781

 Teknek China Ltd
1505 Haitong Security Building
No. 689 Guangdong Road,
Huangpu Area, Shanghai
China 200001

T: +86 (0)21 3311 0329
F: +86 (0)21 3311 0330

 Teknek (Simco-Ion)
2257 North Penn Road
Hatfield,
PA 19440
USA

T: +1 215 822 6401
E: ussales@teknek.com