

PCB ROUTING SYSTEM

■ PRS-4000D ■



FEATURES

- Compact robot system and Stand-alone(Off-line) Type (단단한 로봇 본체의 구조와 독립적인 작업방식)
- High Quality and Minimizing the stress on PC Board Routing system (높은 품질 및 최소의 충격에 의한 작업방식)
- Mufti Spindle head and two work base table (하나 이상의 스피들 헤드 및 두 개의 작업 테이블 구성 시스템)
- 2-way sliding exchanger provides a simultaneous and individual operation (동시에 2모델 독립 생산 및 관리 시스템)
- Color CCD Camera vision direct teaching & MPG system (프로그램 작성시 칼라 카메라에 의한 직접 입력 및 조그 핸들 방식)
- The powerful programming is possible to simulate the head work with camera (프로그램 후 시뮬레이션 기능으로 사전에 확인)
- Fast & Accurate Movement and routing by Ac servo motor (고속 고품질 서보모터에 의한 정밀한 이송)
- IMPEC routing software and Industry PC controller for Window xp (임팩 라우팅 전용 프로그램 및 산업용 PC Control 방식)
- Powerful dust collecting capability system (강력한 집진 능력을 보유한 외부 집진기 장착 시스템)
- Life cycle checking system for Bit ,Spindle & Dust collector (공구 수명 연장과 스피들, 공구, 집진기 관리 시스템 기능)
- Bar code or PCB Fiducial checking & Tilting system-Option (바코드 또는 PCB Fiducial 확인 및 자동 보정 후 Cutting 기능)

 I M P E C

PCB Routing System **PRS-4000D**

System Dimensions

Width:	1250mm
Depth:	1230mm
Height:	1,750mm
Weight:	Approx 900Kg

Programmable axis

Drive method:	Multi AC servo motor X, Y1, Y2, and Z axis
Servo repeatability:	±0.01mm
Moving speed:	1,000mm for each axis
Router speed:	Up to 100mm/sec

PCB Handling

Work table	Two work
Work area:	350mm x 300mm
PCB Thickness:	0.4mm~2.4mm

Control

IMPEC Routing control software
Industry PC control for window XP
TFT LCD 15" touch monitor

Utilities

Voltage:	220V, 1Phase 50/60Hz, 1.5KVA 380V, 3Phase 50/60Hz, 1.5KVA
Pressure:	6 bar(90 psi)
Flow:	200L/min

System Programming

Color CCD camera vision direct teaching-
system or MPG handle function
Program data HDD memory
Line, Arc, Circle, Spline
MDI, Jog
User design jig type

Software Features

Spindle, Bit & Dust life cycle check
Bit Auto step down system
User Password Protection
Error message display
Safety sensor system

Spindle Motor

Type:	High Speed Spindle Motor
Rotation:	Adjustable 50,000 rpm
Cooling:	Air cooling system
Chuck diameter:	Shank size 3.175mm
Tool change:	Manual/ATC(Option)

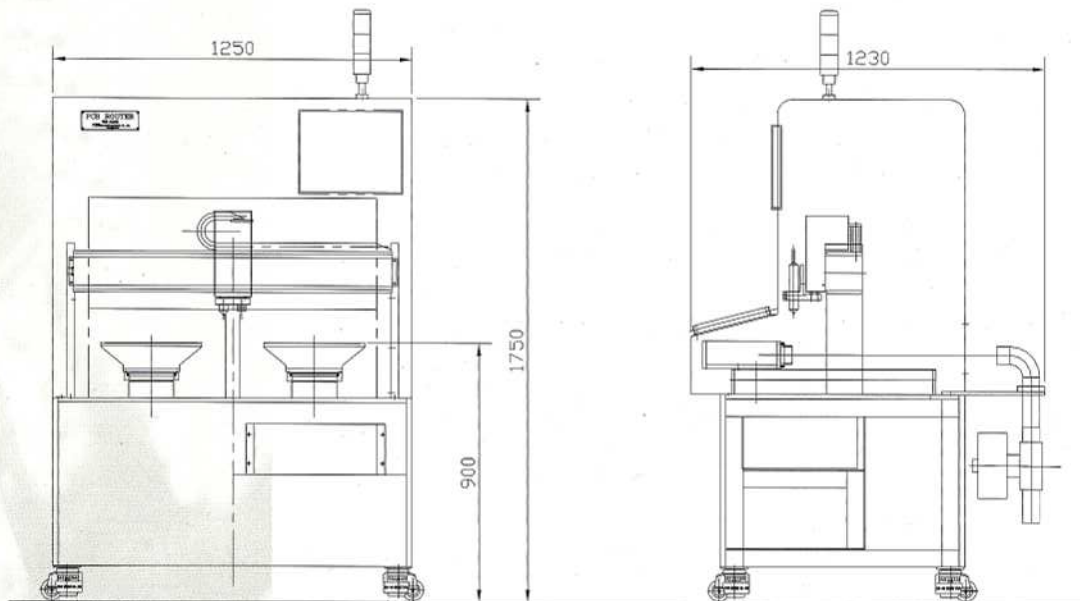
Dust Collection

Power:	1.5Kw
Bag filter:	Polyester filter
Pressure:	230mAq ~
Noise level:	68 ±3dB
Voltage:	AC220V/380V, 3Phase 50/60Hz, 3KVA
Dimensions:	W620 x D820 x H1600mm

Options

Ionizer system
Dust Collection Auto Shaking system
Fiducial check & Tilting routing system
Bar code check routing system
Multi Spindle hade unit

※ Specifications in this brochure are subject to change for better performance without prior notice.



IMPEC Enterprise Co., Ltd.

<http://www.impec.com> E-mail : impec@impec.com